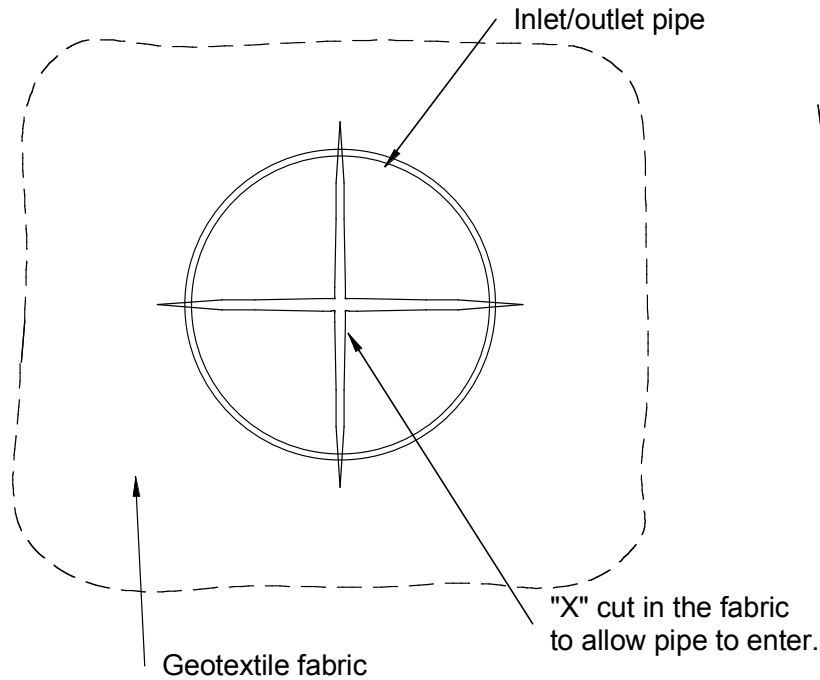


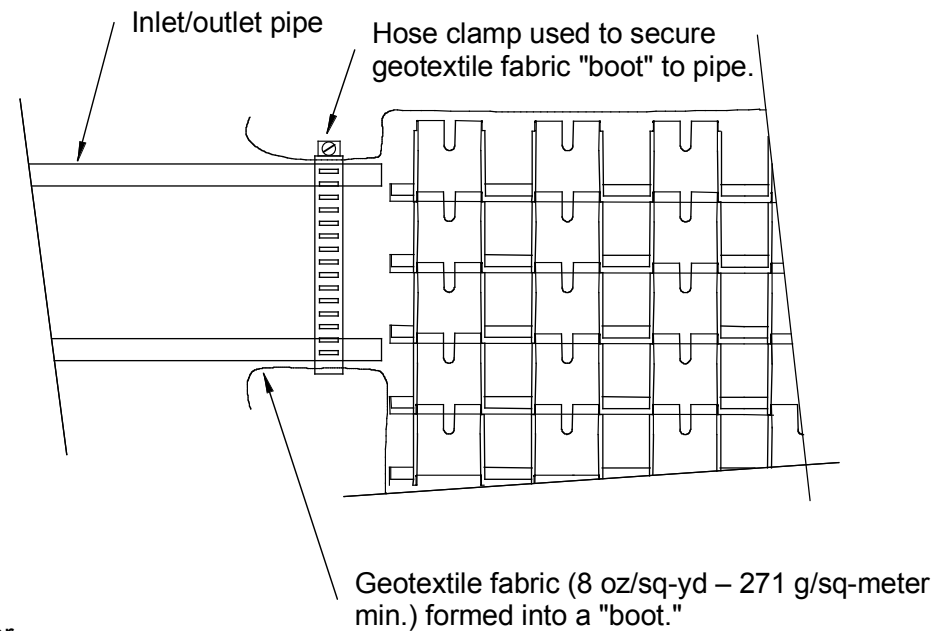
RAINSTORE3 Inlets/Outlets With Fabric

Connecting pipe to the Rainstore3 structure

End view of pipe/fabric connection. Cut an X in the fabric slightly larger than pipe, pull the fabric around the pipe to create the "boot" and then secure with a hose-clamp.



End View



Side View

NOT TO SCALE



Invisible Structures, Inc.
RS3inletoutlet07.dwg



303-233-8383
www.invisiblestructures.com
V4.1